

PN BIN - Badge holder

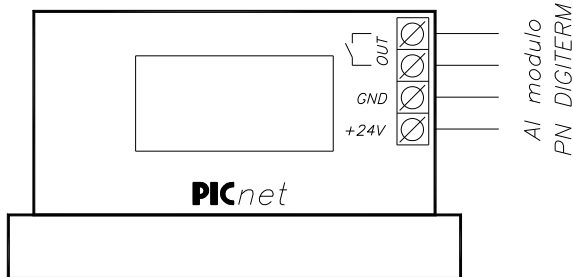
The PN BIN module is used in hotel applications for guest-present detection. The module comprises a badge holder where the transponder card is placed, and an electronic detector that senses its presence, in order to enable/disable the room's temperature control and electrical power.

Thus, power will be available and the room will be conditioned to comfort temperature only when occupied, thanks to the guest-present detection system provided by the card holder, where guests will insert their badge as soon as they walk into the room.

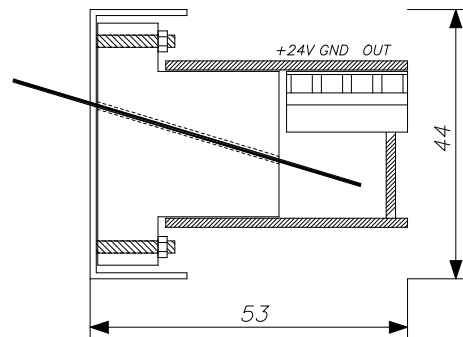
The module includes blinking LEDs to help locate the card slot, and a relay that is activated when a valid transponder card is inserted; it must be connected to its input in the PN DIGITERM room automation module.

The module requires no programming and occupies no address on the PICnet network.

CONNECTION DIAGRAM

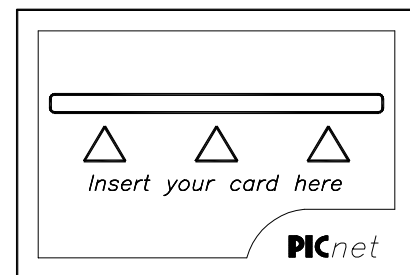


SIZE



TECHNICAL SPECIFICATIONS

Supply voltage	24Vcc ± 20% SELV
Current consumption	Min. 35mA – Max. 45mA
Contact rating	Max 2 A @ 24Vac for resistive load
Operating conditions	0.. +55 °C, 10..90% R.H. dew-free
Storage conditions	-30.. +80 °C, 10..90% R.H. dew-free
Mounting	Built-in, 503 box
Size	3 modules 503 box



NOTE: front size varies depending on the wiring devices used.